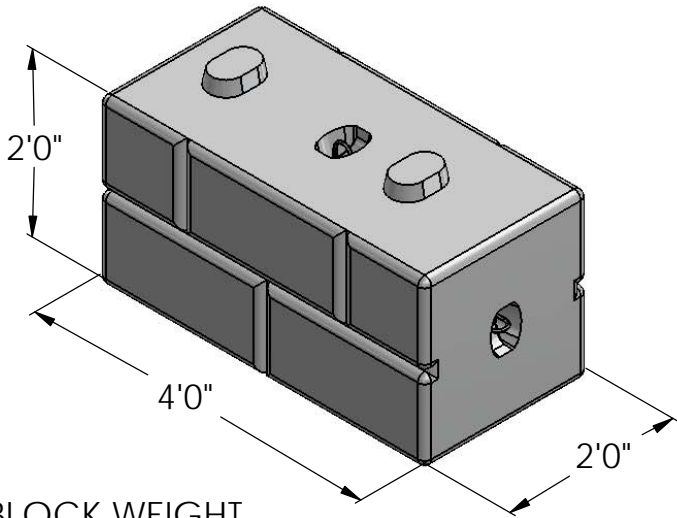


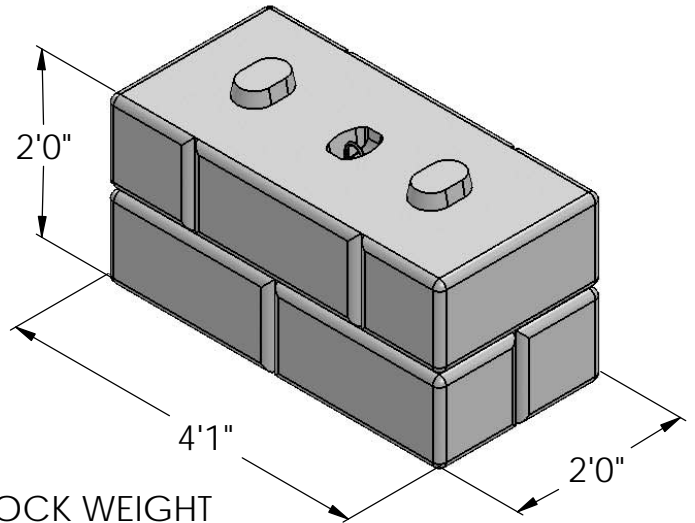
2 & 3 SIDED BLOCK SERIES

2-SIDED BLOCK WITH LUG



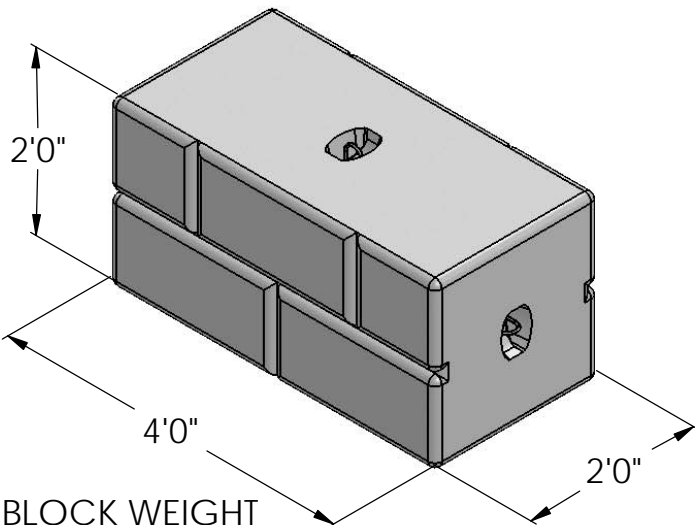
BLOCK WEIGHT
2126 LBS

3-SIDED BLOCK WITH LUG



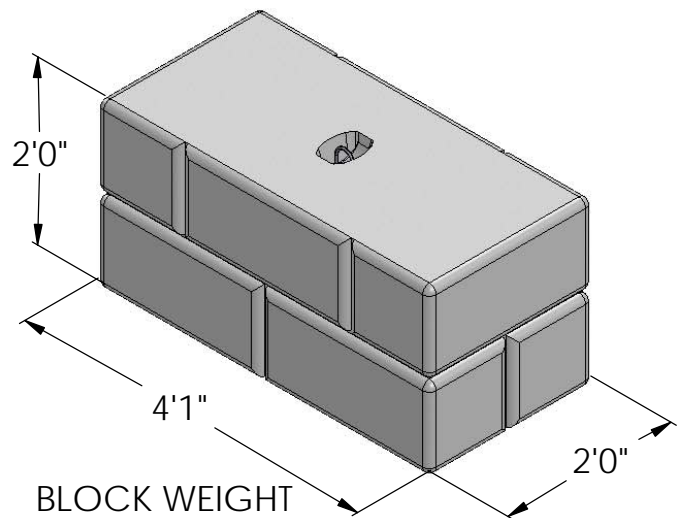
BLOCK WEIGHT
2162 LBS

2-SIDED BLOCK WITHOUT LUG



BLOCK WEIGHT
2118 LBS

3-SIDED BLOCK WITHOUT LUG



BLOCK WEIGHT
2170 LBS



DRAWN BY

DATE

R FONTANESI

2/11/2016

TITLE:

2 & 3 SIDED BLOCKS

DWG NO.

BD-13

REV.

02

SCALE: NA

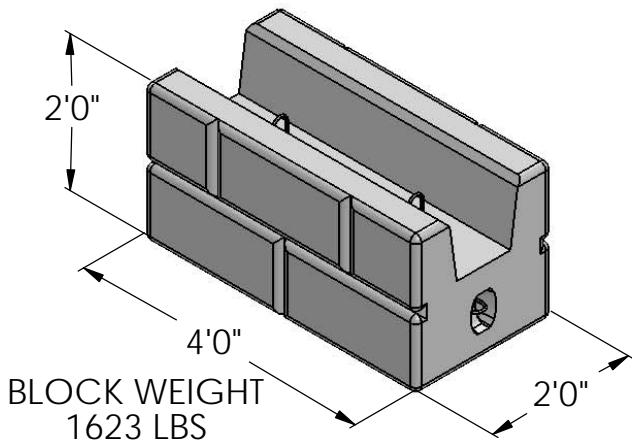
WEIGHT: SEE ABOVE

SHEET 1 OF 3

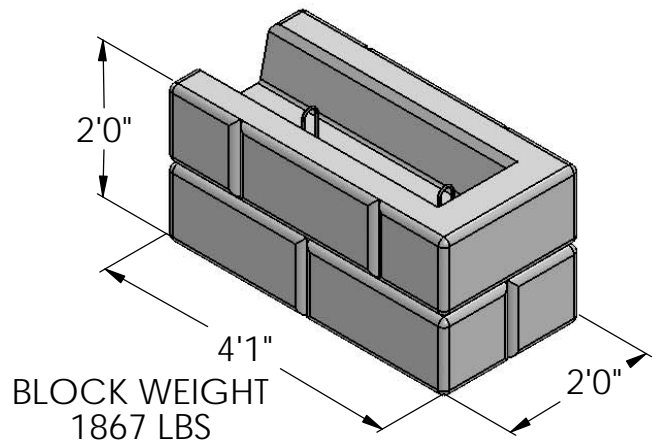
16500 SOUTH 500 WEST
BLUFFDALE, UTAH 84065
PHONE: (801) 571-2028

2 & 3 SIDED BLOCK SERIES

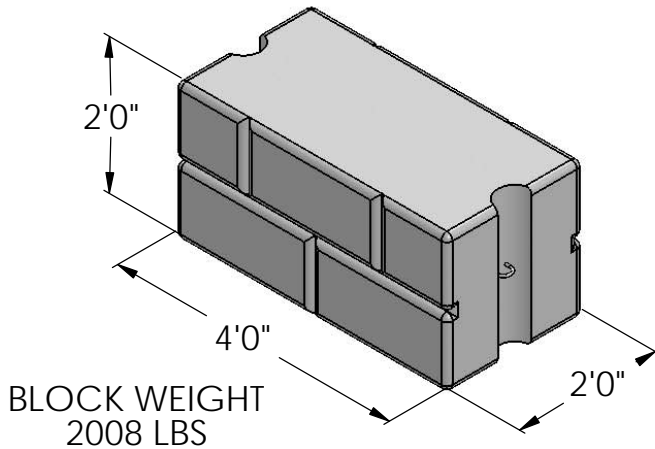
2-SIDED PLANTER BLOCK



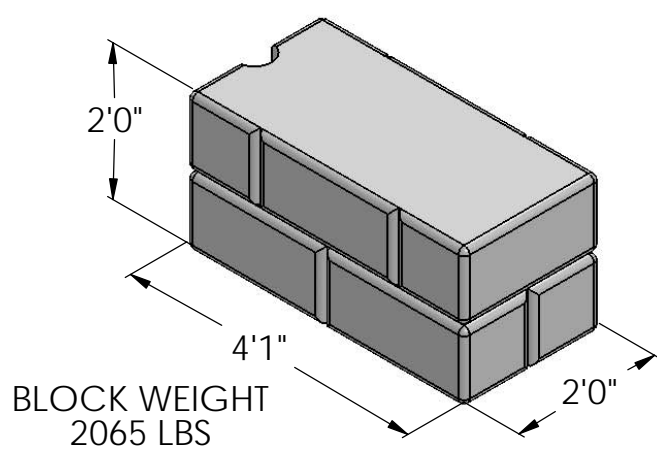
3-SIDED PLANTER BLOCK



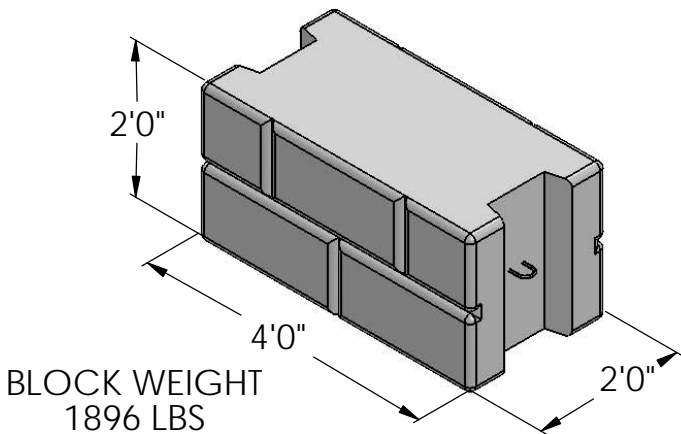
2-SIDED IMPACT PROTECTION BLOCK



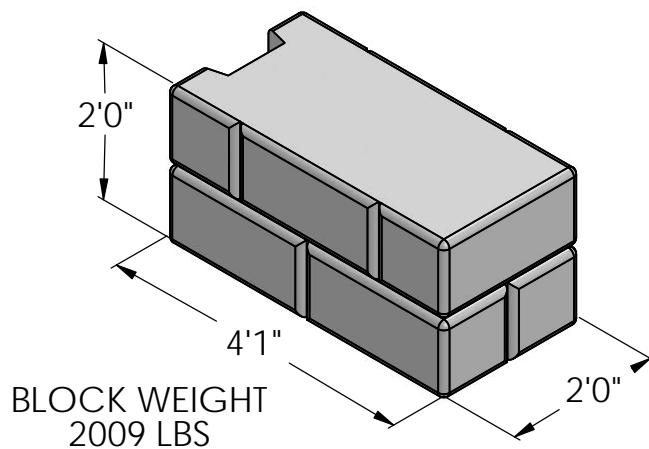
3-SIDED IMPACT PROTECTION BLOCK



2-SIDED VARIABLE CURVE BLOCK



3-SIDED VARIABLE CURVE BLOCK



DRAWN BY	DATE
R FONTANESI	2/11/2016

16500 SOUTH 500 WEST
BLUFFDALE, UTAH 84065
PHONE: (801) 571-2028

TITLE:

2 & 3 SIDED BLOCKS

DWG NO.

BD-13

REV.

02

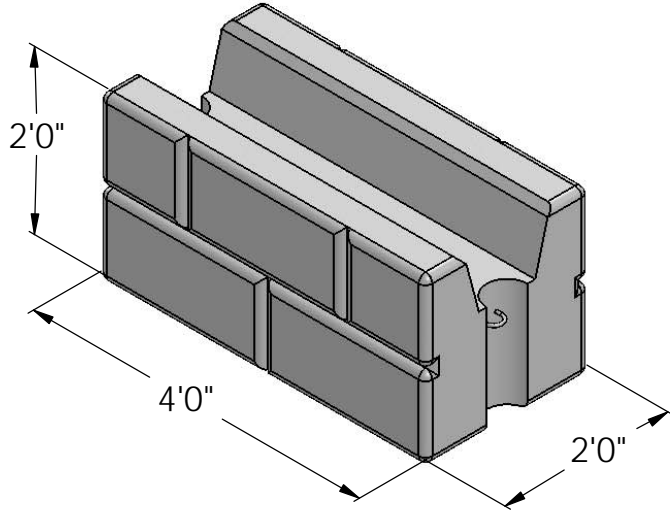
SCALE: NA

WEIGHT: SEE ABOVE

SHEET 2 OF 3

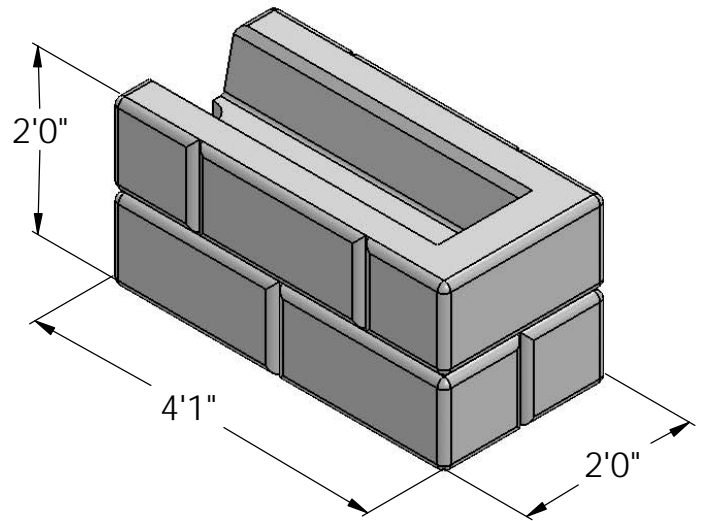
2 & 3 SIDED BLOCK SERIES

2 SIDED IMPACT PROTECTION/PLANTER BLOCK



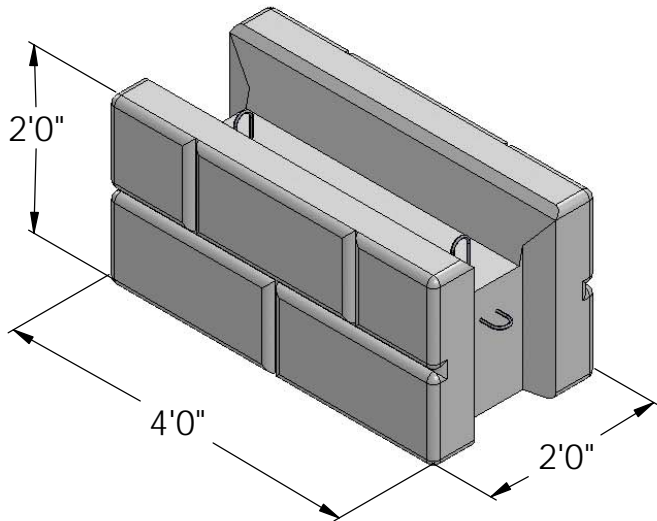
BLOCK WEIGHT
1696 LBS

2 SIDED IMPACT PROTECTION/PLANTER BLOCK



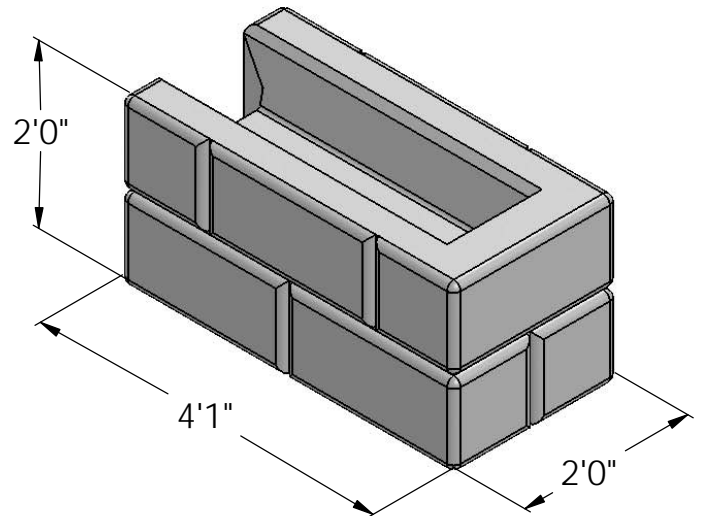
BLOCK WEIGHT
1848 LBS

2 SIDED VARIABLE CURVE/PLANTER BLOCK



BLOCK WEIGHT
1608 LBS

3 SIDED VARIABLE CURVE/PLANTER BLOCK



BLOCK WEIGHT
1809 LBS



DRAWN BY

DATE

R FONTANESI

2/11/2016

TITLE:

2 & 3 SIDED BLOCKS

DWG NO.

BD-13

REV.

02

SCALE: NA

WEIGHT: SEE ABOVE

SHEET 3 OF 3

16500 SOUTH 500 WEST
BLUFFDALE, UTAH 84065
PHONE: (801) 571-2028