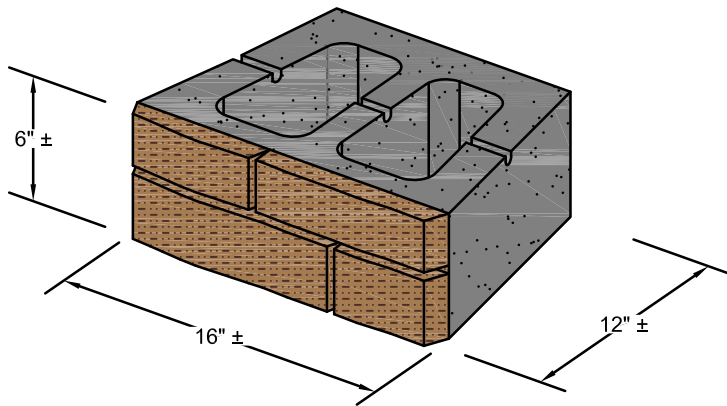


**NOTES:**

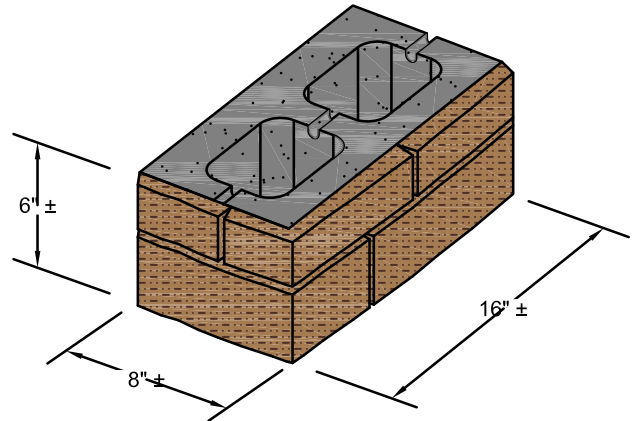
1. CAST STONE WALL COMES IN A RANDOM MIX OF PROFILES IN 2 CUBE OFFERINGS: CAST STONE WALL FULL FACE IS ALL STRAIGHT. 6X16 FACES AND CAST STONE WALL RANDOM FACE HAS RANDOM JOINT FACES.
2. CORES AND VOIDS SHALL BE FILLED WITH A #57 CLEAN STONE MEETING THE FOLLOWING GRADATION:

<u>SIEVE SIZE:</u>	<u>% PASSING:</u>
1"	100 - 95
1/2"	100 - 25
No.4	0 - 10
No.8	0 - 5

3. ALL BASE UNITS SHALL BE TERRACE WALL STRETCHER UNITS AND SHALL HAVE A MINIMUM EMBEDMENT DEPTH OF 6".
4. HIGH STRENGTH CONCRETE ADHESIVE SHALL BE USED BETWEEN UNITS ON EACH SUCCESSIVE COURSE BEGINNING AT THE TOP OF THE BASE UNITS.



**RANDOM FACE STRETCHER**



**RANDOM FACE CORNER**



201 Park Ave.  
Woodbury, NJ 08096  
(800)-444-3679  
www.ephenry.com

TITLE: CAST STONE WALL  
TYPICAL UNIT DETAIL

SCALE: NOT TO SCALE