

INTEGRATED ARCHITECTURAL SOLUTIONS

EPHENRY®

EPIK™ COLLECTION



PROFILE CONCRETE MASONRY

DECROSTONE™



Using our unique Decro-Face process to open the texture allows the aggregates to come into play as part of the overall color effect.

■ *Bethlehem Community Center, Bethlehem, PA*
DecroStone 40R and 11D and Decro-Face 50N

GROUNDSTONE™



GroundStone's ultra smooth finish complements a variety of textures including RockFace and Brick.

■ ■ *Camden Potomac Yard, Arlington, VA*
GroundStone 400YS with RockFace 400ZS accent bands.

The EPIK Collection provides a beautiful large scale architectural concrete masonry alternative to precast and stone products in two unique textures.

DecroStone™ utilizes the same automated blasting process as our popular Decro-Face® line of concrete masonry units, exposing the aggregate beneath the "skin" of the masonry unit. This allows the aggregate to interact with the matrix color for a rich, natural appearance.

GroundStone is a method of exposing aggregate and creating a very smooth overall appearance by grinding of the concrete masonry unit. This creates a texture more similar to that of marble, again allowing the aggregate to come more into play in the overall aesthetics of the product.

The processes can be applied to any surface of the EPIK Collection shapes and sizes.

PRODUCT USES AND APPLICATIONS

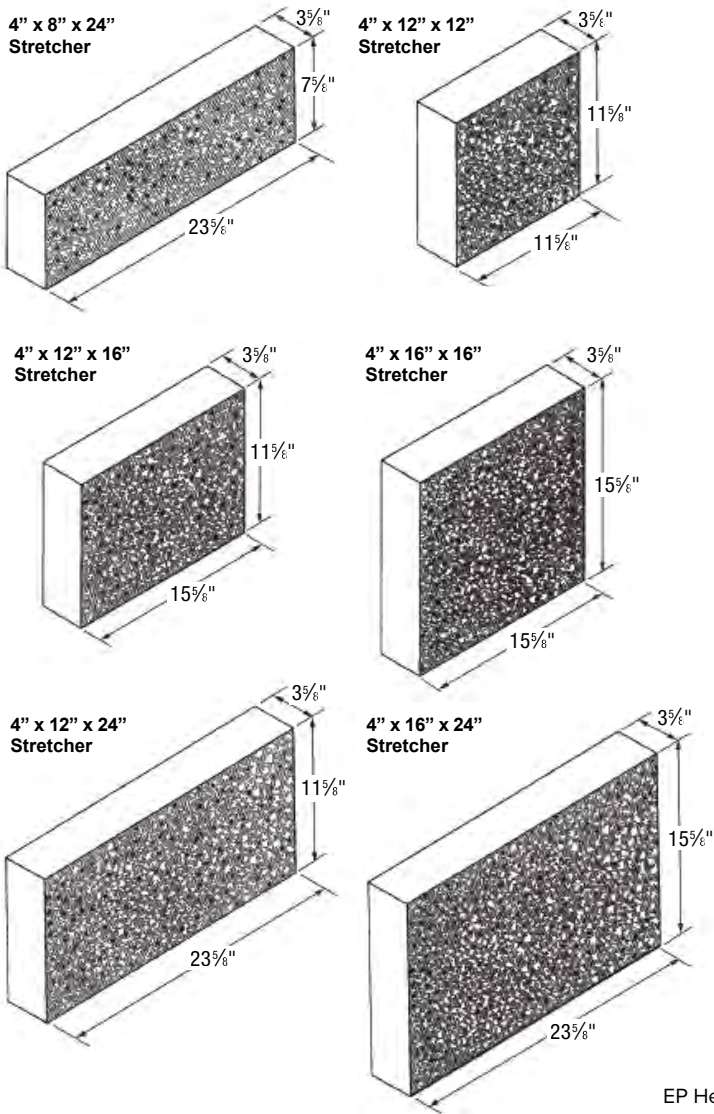
DecroStone and GroundStone products combine all of the benefits of concrete masonry including strength, durability, fire, and moisture resistance, and cost-effectiveness. These properties, combined with the unique scale of the EPIK Collection, make it ideal for almost any exterior application.

The natural warmth and texture of DecroStone and GroundStone products make a beautiful statement on their own or provide a natural transition when used with other architectural concrete masonry products.

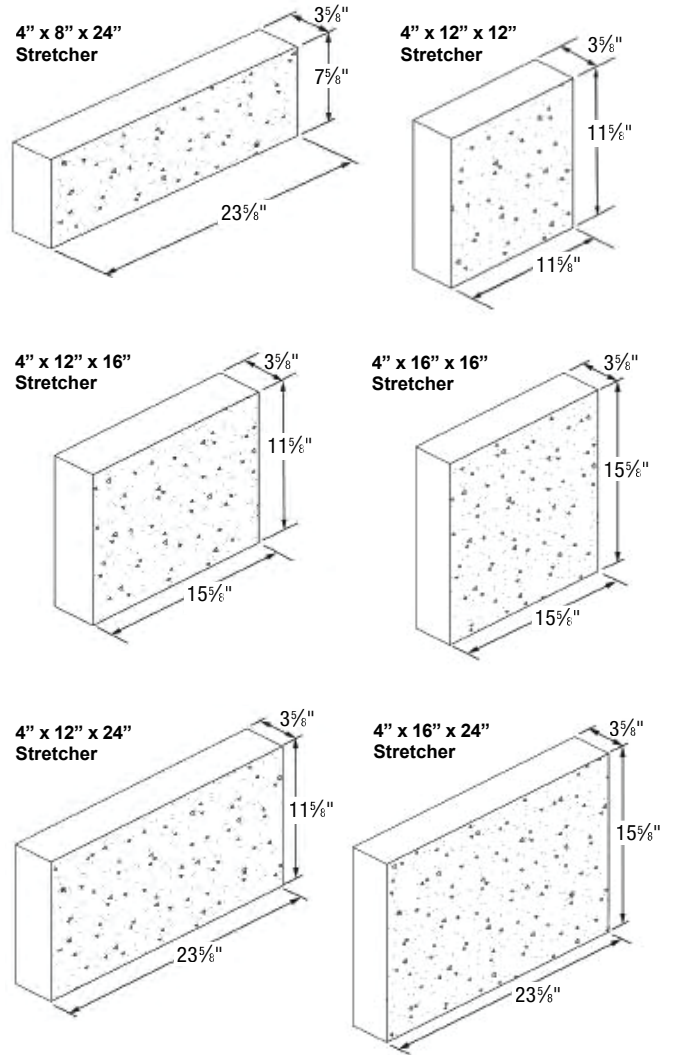
All EPIK Collection Architectural Concrete Masonry Units (ACMU) are manufactured with Dry Block Admixture, in accordance with the manufacturer's specifications. For a complete water repellent systems, Dry Block Mortar Additive must be specified for the mortar. Additional advantages include minimizing efflorescence and improved workability of mortar.

SHAPES

DECROSTONE™



GROUNDSTONE™

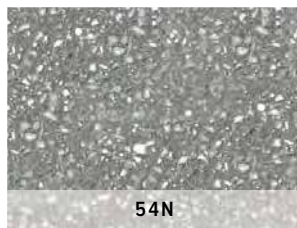
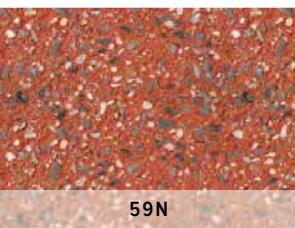


EP Henry adheres to strict manufacturing specifications and quality control procedures; however, as natural materials are used to make our Profile™ concrete masonry products, variations in shade can be expected. Final color selection should be based on full size samples and a field panel erected at the job site.

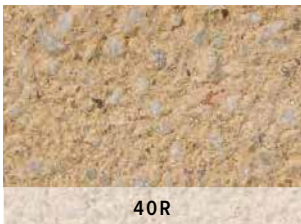
Please contact your EP Henry Sales Representative regarding additional color and aggregate offerings. Visit ephenry.com for more information.

COLORS

SHOWN IN
GROUNDFACE



SHOWN IN
DECROFACE



ARCHITECTURAL SPECIFICATION FOR DECROSTONE™ & GROUNDSTONE™

MATERIALS

DESCRIPTION

_____ Architectural Concrete Masonry Units (ACMU's) shall be as manufactured by EP Henry Corporation, 201 Park Avenue, PO Box 615, Woodbury, NJ 08096, 800-444-3679.

The manufacturer shall supply corner units and multiple finished surfaces required by drawings, as available.

PERFORMANCE

All _____ ACMU's shall conform to A.S.T.M. C-90, type 1, Solid Load Bearing Concrete Masonry Units and meet NCMA Fire Resistance Rating for 1 hour.

COLOR TEXTURE

Color, surface texture and aggregate exposure shall be uniform within a normal range established between the manufacturer and specifier as represented by a protected panel erected at the job site and individual samples as needed for approval.

The provisions of A.S.T.M. C-90, Paragraph 7 shall apply with regard to finish and appearance of _____ units.

MOISTURE PROOFING

All _____ ACMU's shall contain the Dry Block® Integral Water Repellent System by Grace Construction Products.

MORTAR

Mortar color selection for exterior wall shall be Easy-Spred Color to match the block. (The number for the Easy-Spred Color match for GroundStone or DecroStone ACMU's corresponds to the ACMU color number). Mortar shall contain Dry Block Additive as manufactured by Grace Construction Products in the dosage recommended by the manufacturer and is mixed on site by the masonry contractor.

As per the recommendation of the National Concrete Masonry Association, mortar joints shall be tooled and not raked.

DELIVERY, HANDLING & STORAGE

All _____ ACMU's shall be delivered to the job site on wooden pallets and packed with protective cushions between all DecroStone and GroundStone layers and shall be wrapped and coded with shape and size description. Care must be taken in handling and storage on job site to prevent breakage and damage to finished surfaces. **Do Not Stack Cubes.**

MASONRY CLEANING

Care should be taken to keep the walls clean of mortar, grout and other stains. Walls should be covered at the end of each day to protect them from the elements and job site conditions. A provision shall be included in the masonry contract for a clean down of the completed DecroStone and GroundStone walls prior to completion of the contract. This is necessary to remove dirt, stains, and efflorescence which commonly occur in new masonry construction. As with all Architectural Concrete Masonry Units, acid solutions should not be used for cleaning DecroStone and GroundStone walls. Do not use high pressure methods which can mar the surface of the ACMU and/or force water into the wall. The cleaning procedure shall be tested and approved prior to application to the completed walls sample panel.

- Charles Chrin Community Center, Palmer Township, PA
DecroStone 40R and Splitstone 32DS

